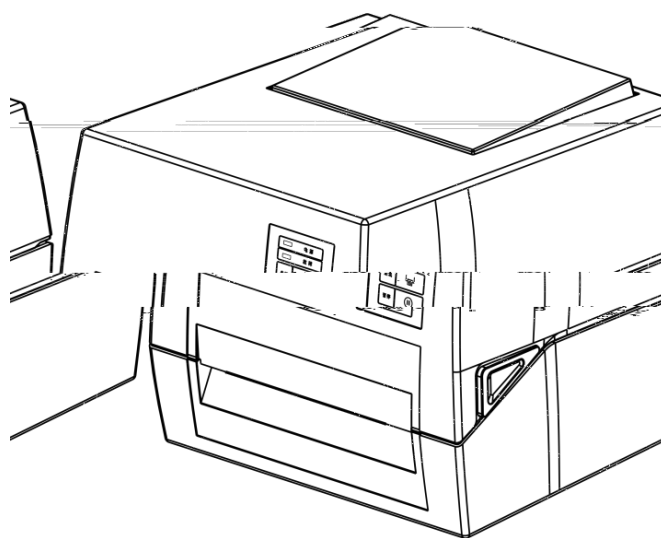


# 条码标签打印机

---

T **GE530**

## 用户手册





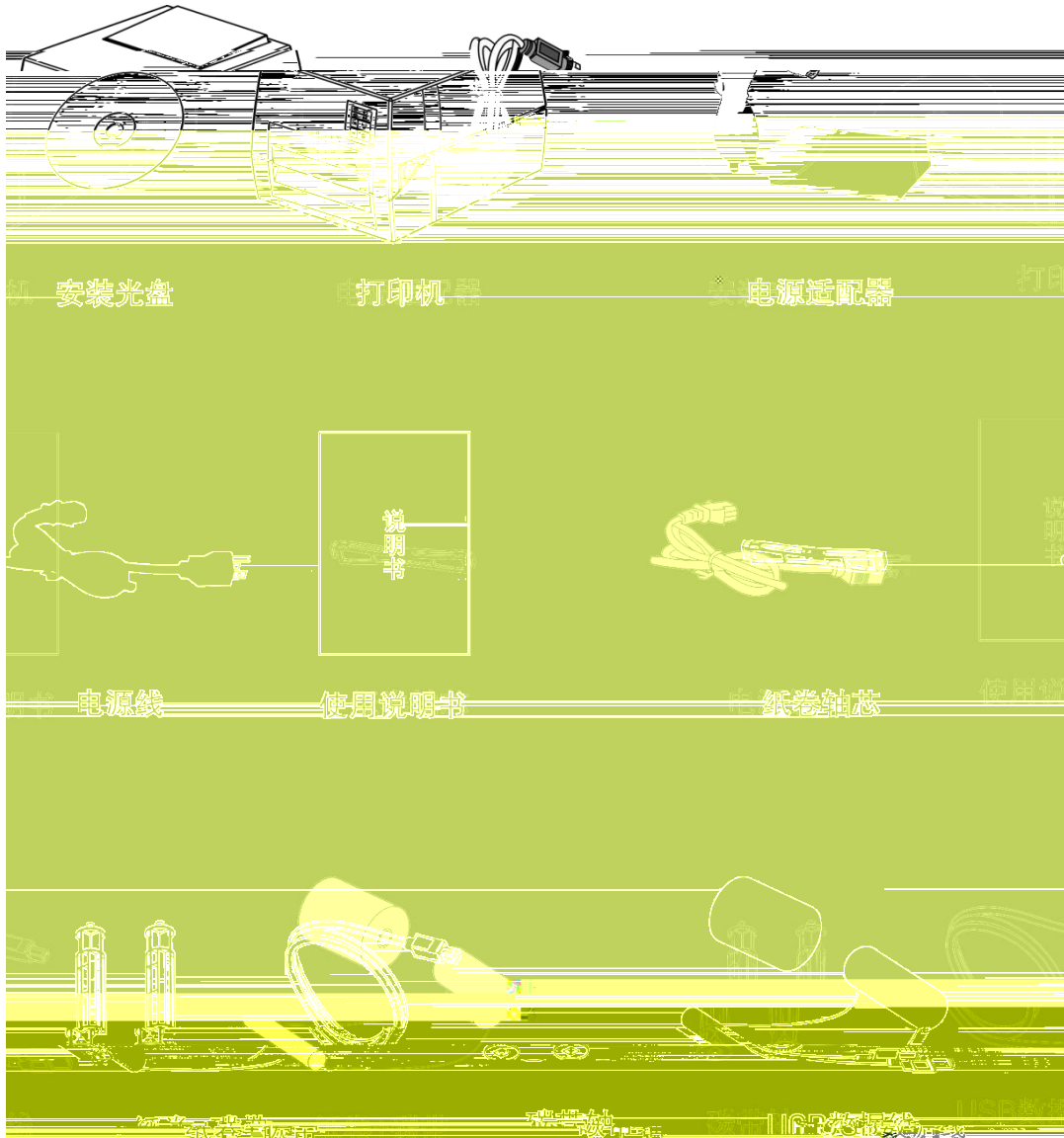




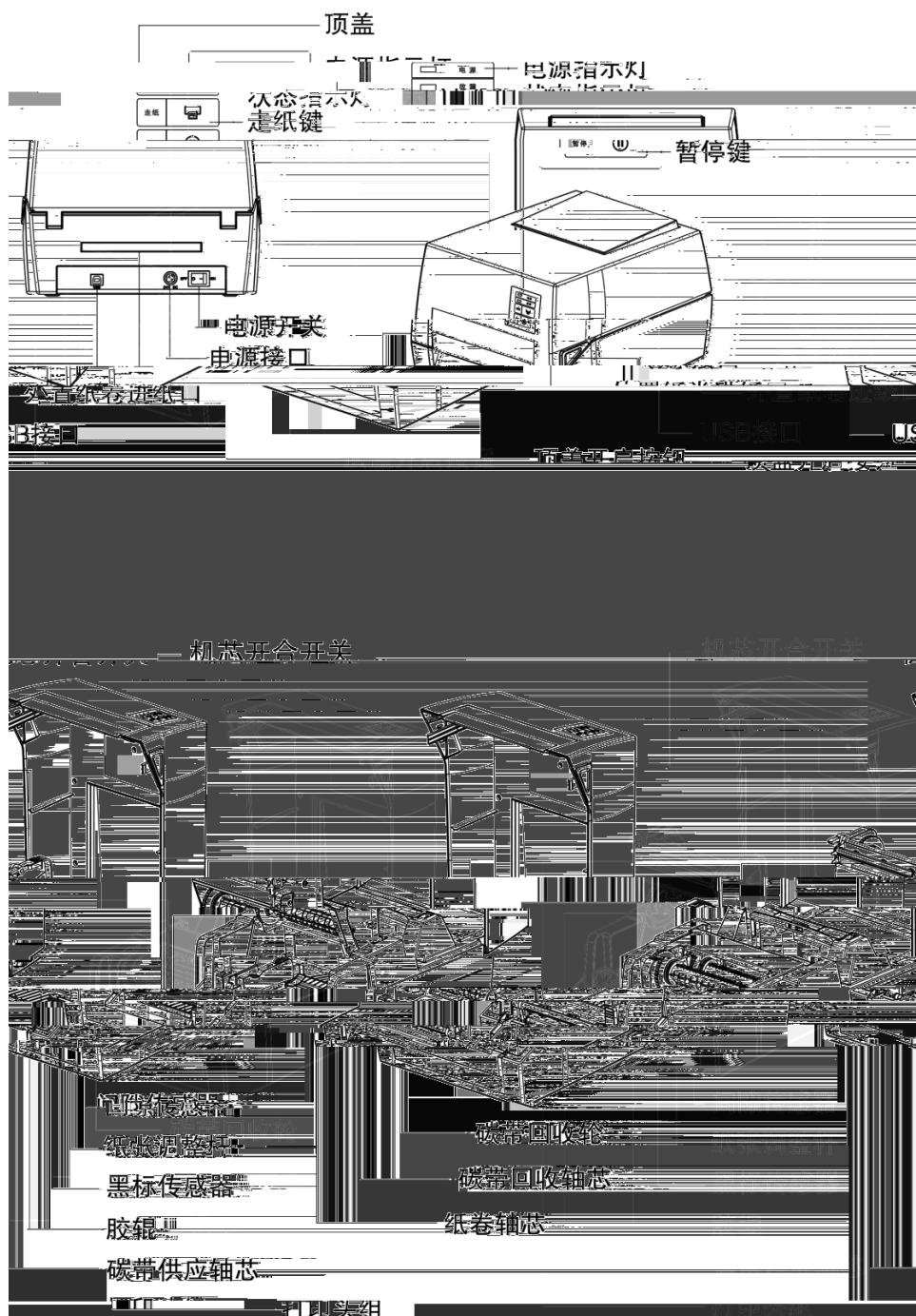








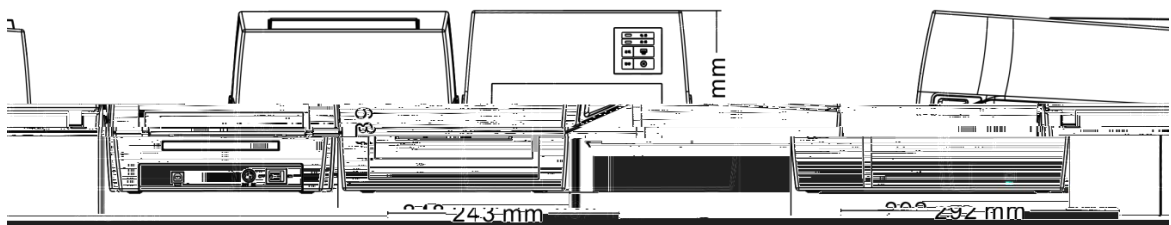
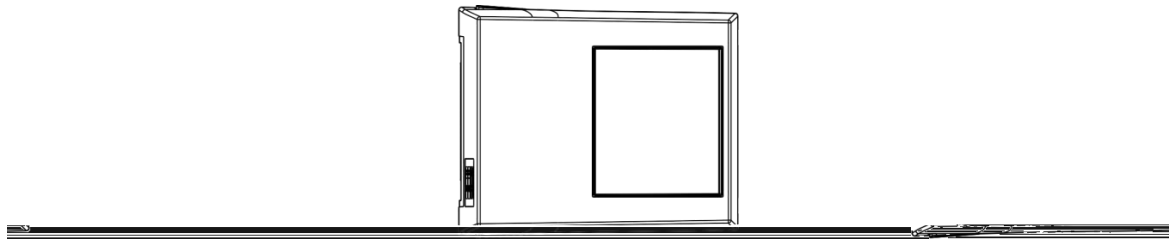






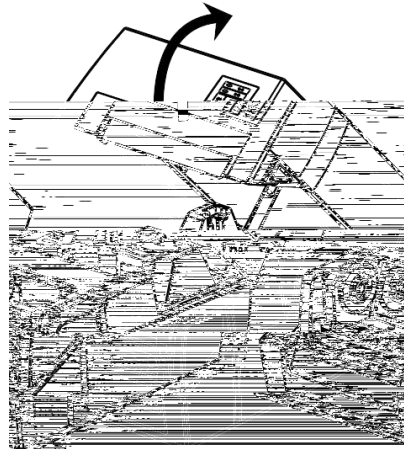
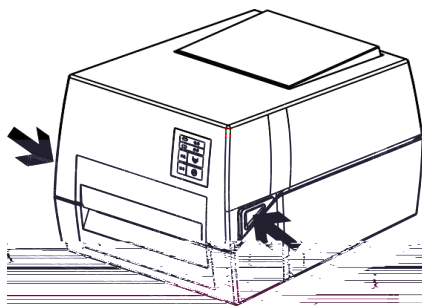
GE530T





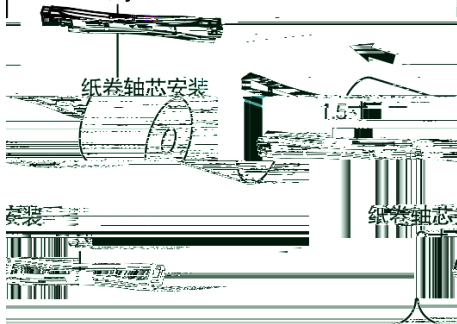


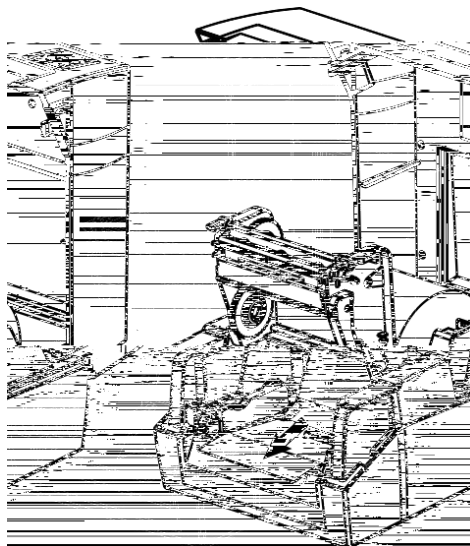


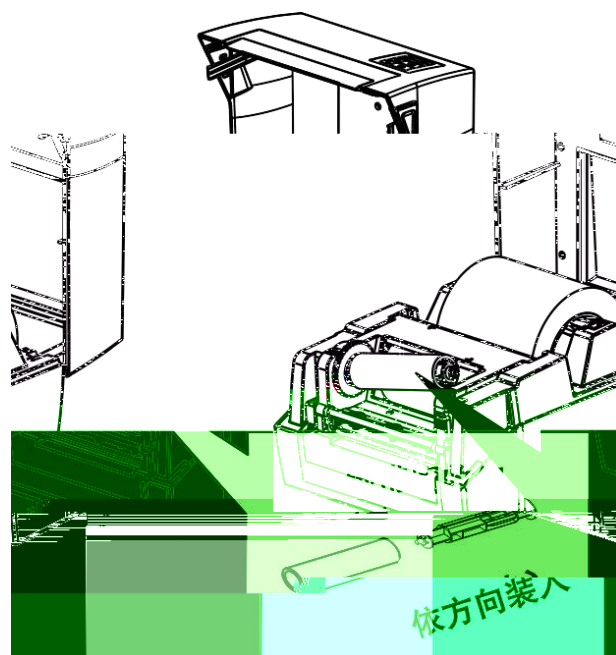


配合内径尺寸安装纸卷

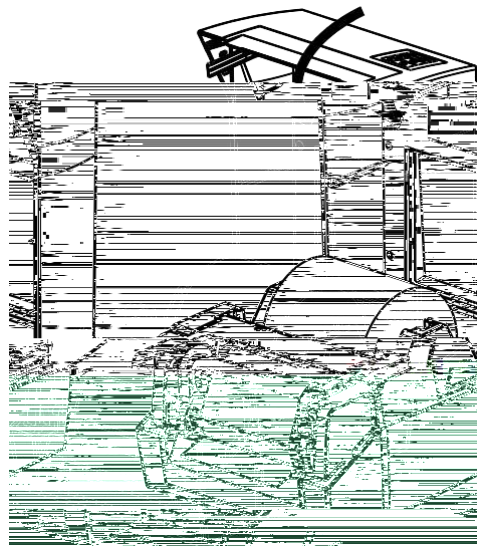
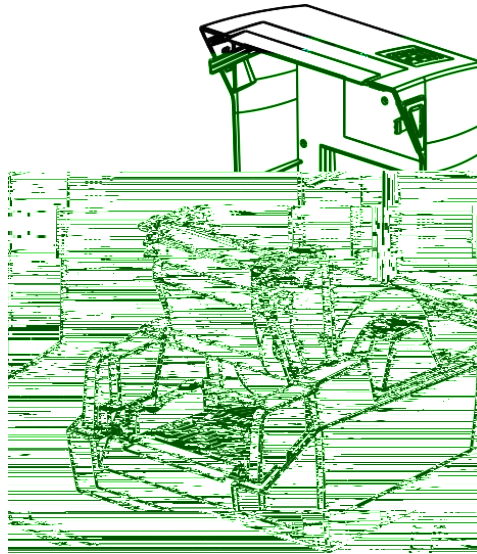
纸卷轴芯安装  
1寸

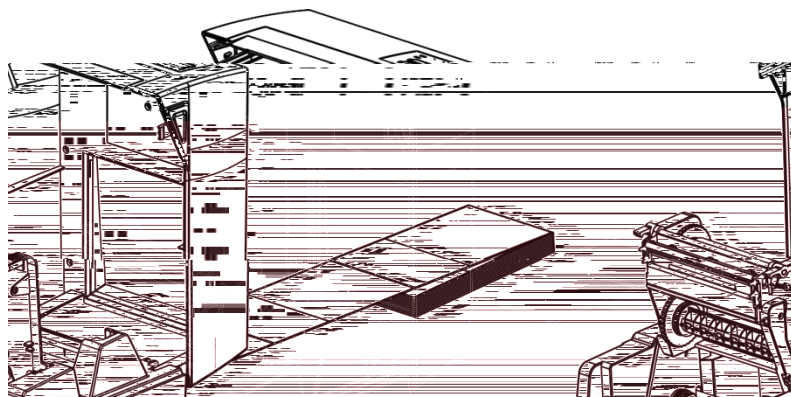


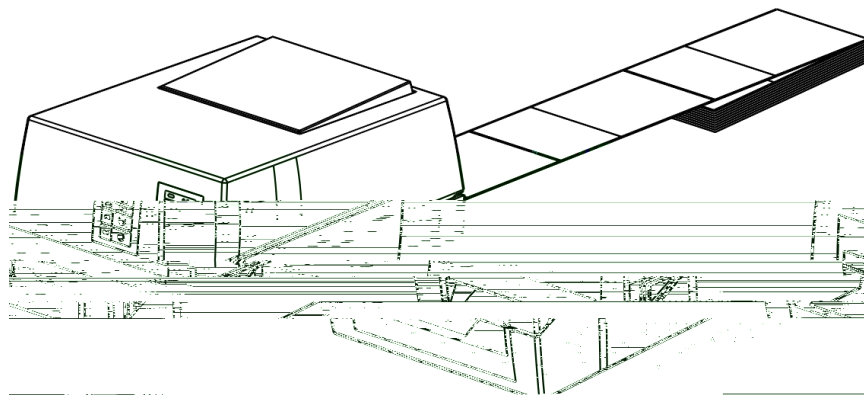
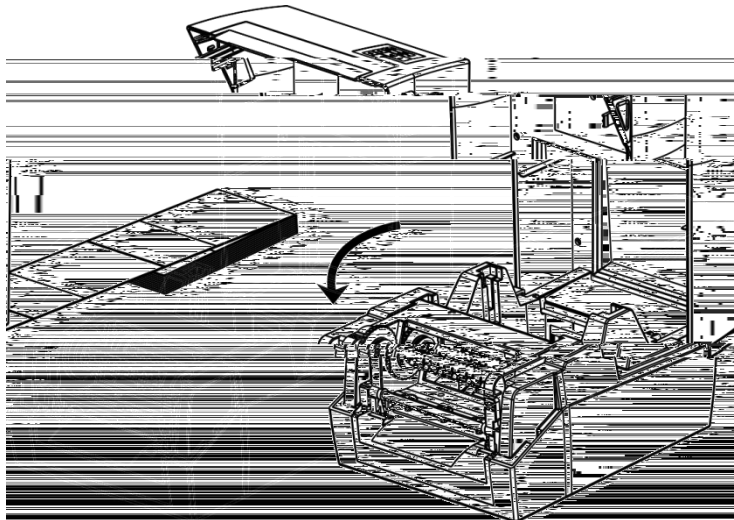


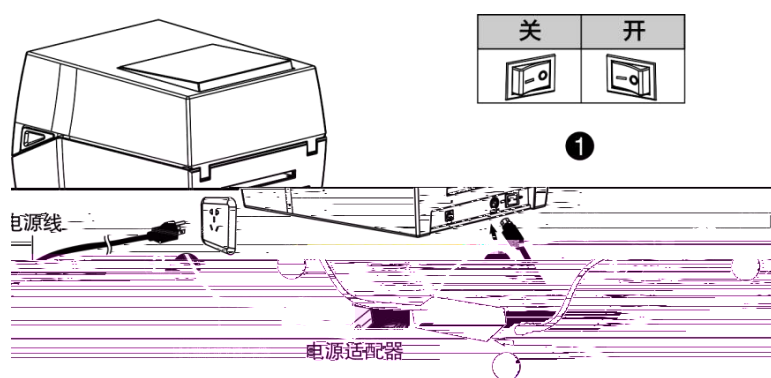


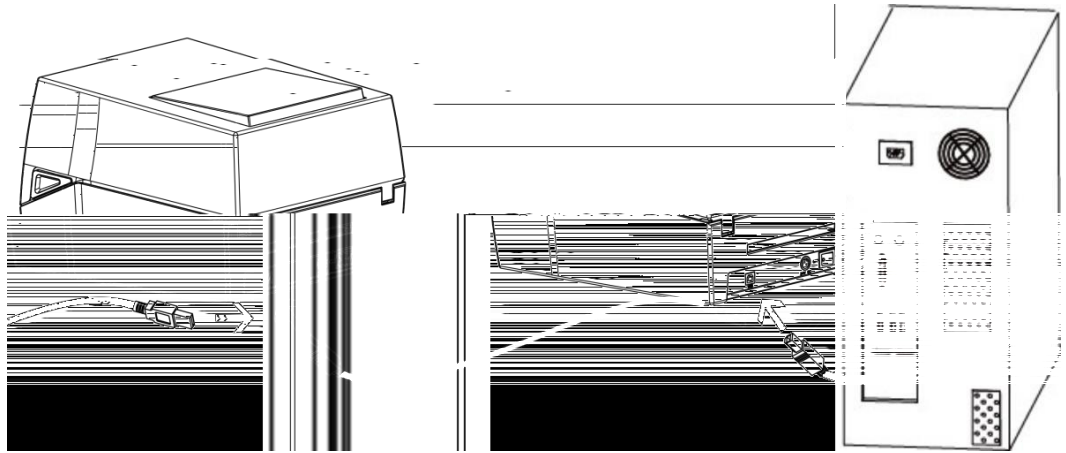


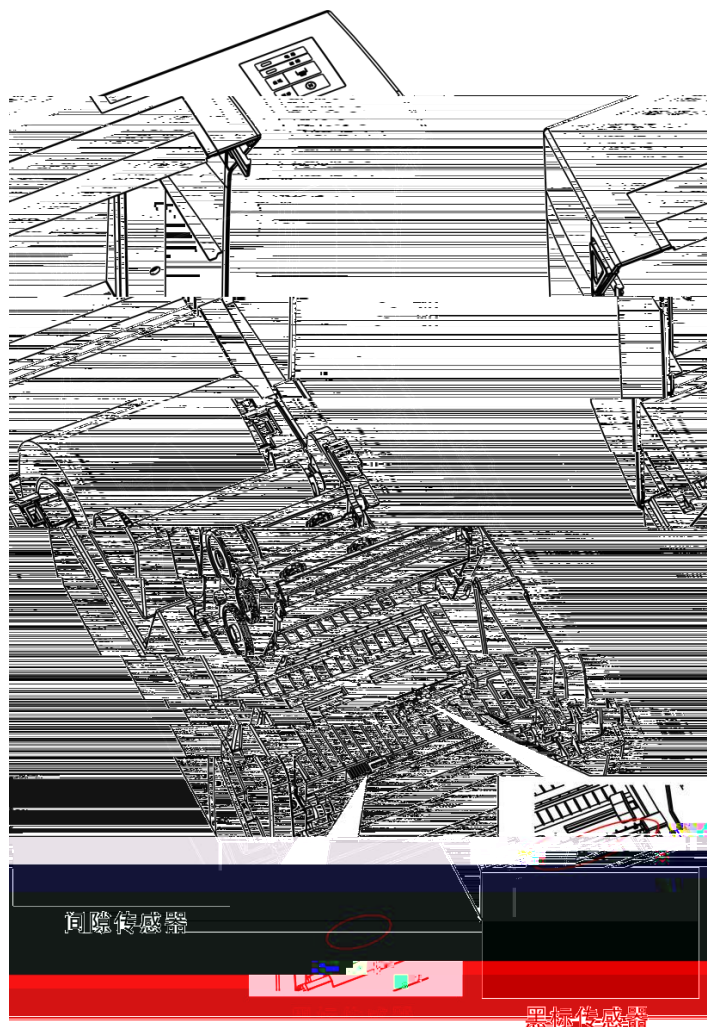























|  |     | <br>160ms |  |
|--|-----|--|--|
|  |     |         |  |
|  |     |         |  |
|  |     |         |  |
|  |     |         |  |
|  | RAM |         |  |

|  |  | ,<br>(<br>500ms)<br>  |  |
|--|--|--|--|
|  |  |                      |  |
|  |  | ,<br>(<br>500ms)<br> |  |





---

---









|  |  |  |  |  |  |  |
|--|--|--|--|--|--|--|
|  |  |  |  |  |  |  |
|  |  |  |  |  |  |  |
|  |  |  |  |  |  |  |
|  |  |  |  |  |  |  |
|  |  |  |  |  |  |  |
|  |  |  |  |  |  |  |
|  |  |  |  |  |  |  |
|  |  |  |  |  |  |  |
|  |  |  |  |  |  |  |

