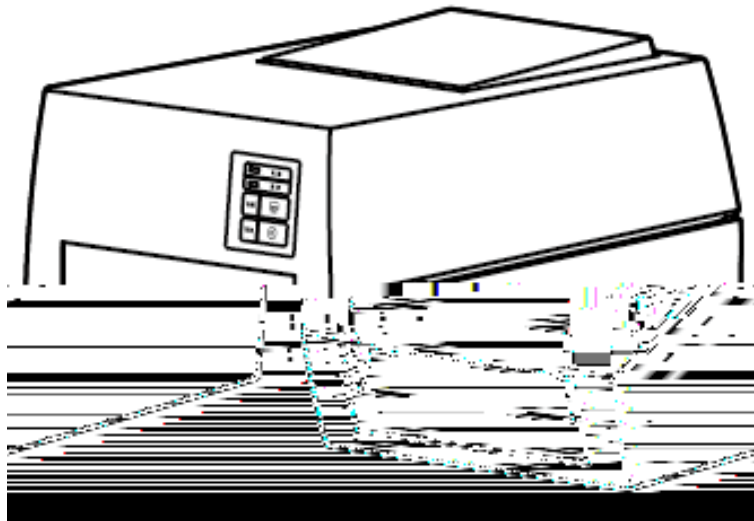


---

# DL-820T





Windows



3

•

4

•

5

•



1

2

3

4

•

5

•

6

•

•

•

•

•

•

•

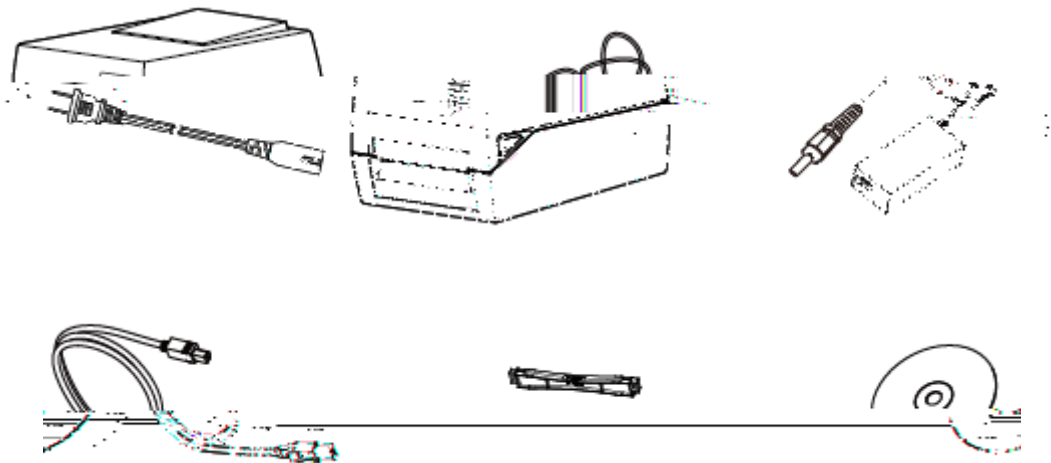
•

•





1-1

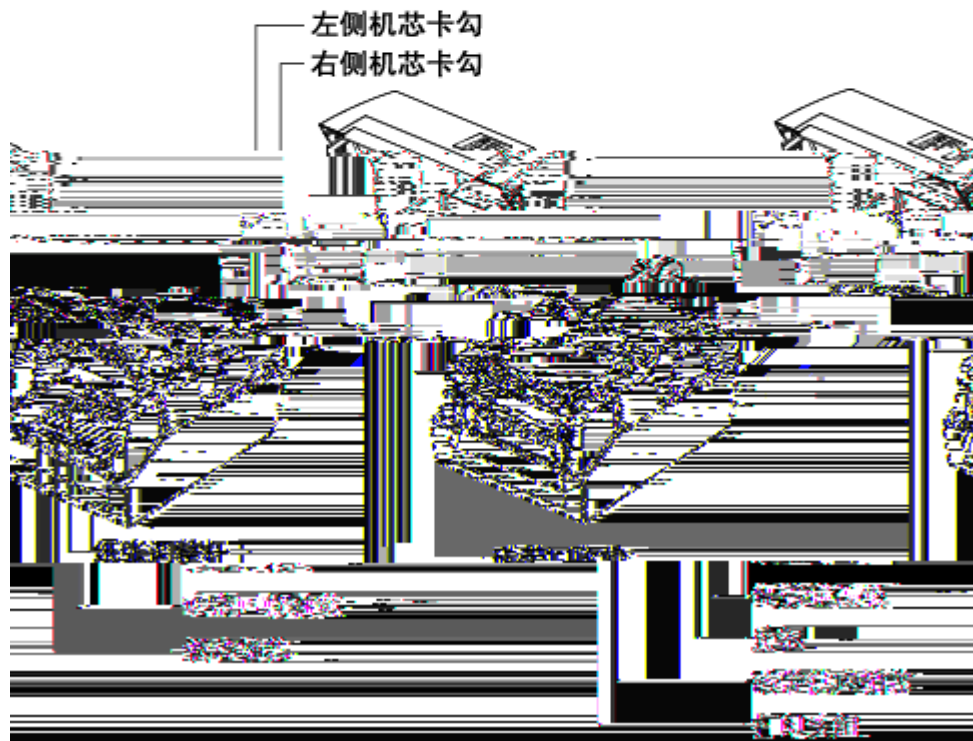
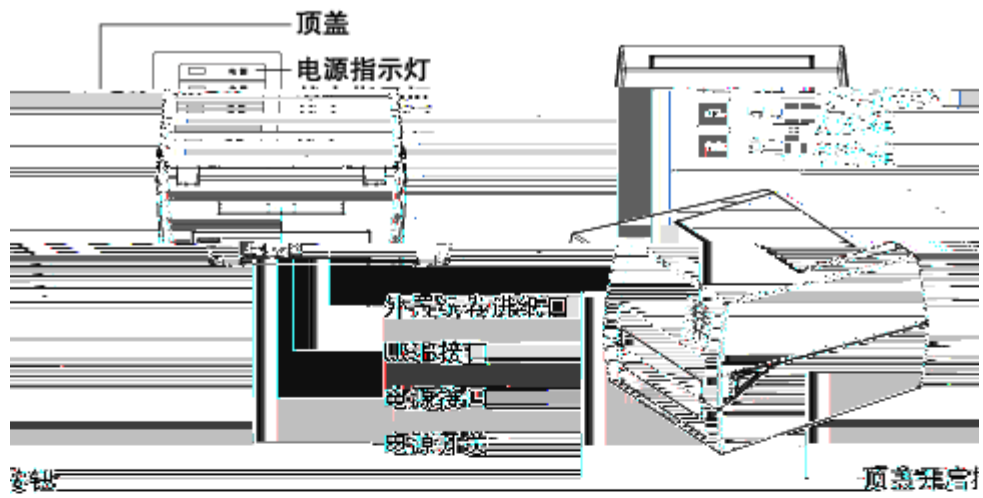


USB



1-1





- 

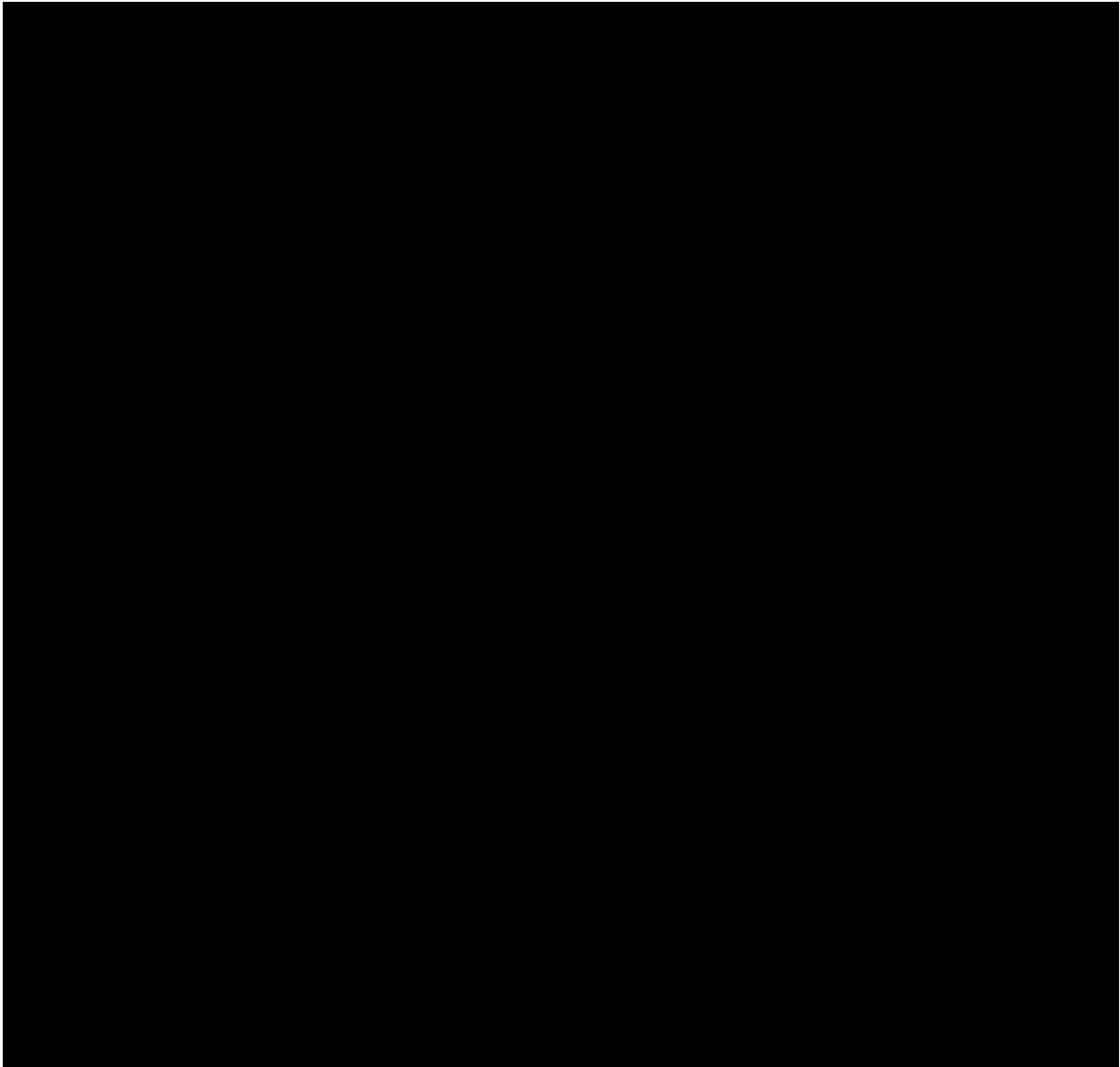
( / )

- 

DL-820T

- 

-

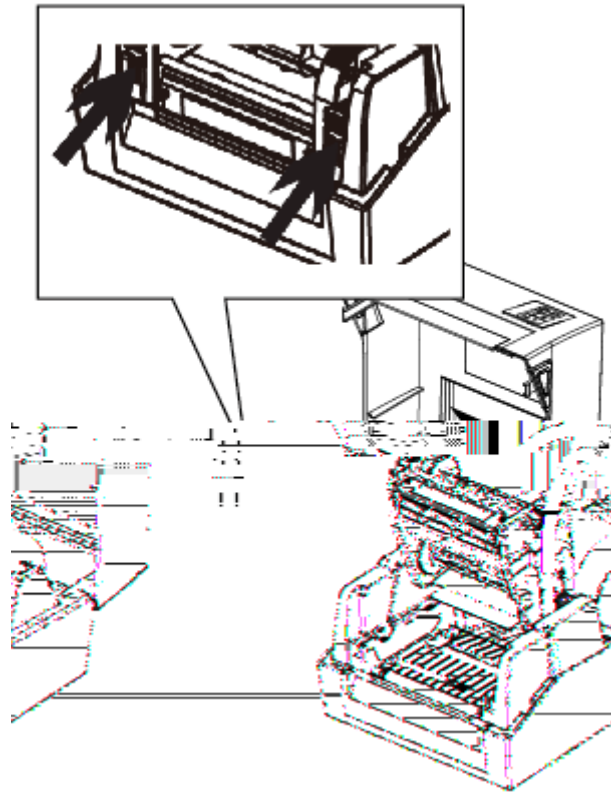


		/
		203 / (8 / )
		102 /
		108 .
		15 - 300
		32 RISC CPU
	RAM	2MB
		2MB
		, , , ,
		, ,Tag stock,
		0.79 (20 ) 4.65 (118 )
		0.003 (80 ) 0.007 (180 )
		5 (127 )
		1 (25.4 ),1.5 (38 ),3 (76.2 )
		, ,
		1.33 (33.8 ) 4.33 (110 )
		984 (300 )
		1 (25.4 )
		TSPL
		Bartender UltraLite
		Windows 2000,XP,Vista7,8,10
		8, 12, 16, 24, 32 , OCR A & B
		90 , 180 , 270 10
		CG Triumvirate
		DOS437,720,737,755,775,850,852,855,856,857,858,860,862,863,864,865,866, Windows 1250,1251,1252,1253,1254,1255,1256,1257,1258 ISO8859-1,-2,-3,-4,-5,-6,-8,-9,-15 DBCS 932 (JIS), 936(GBK), 949 (Koran), 950(BIG5)

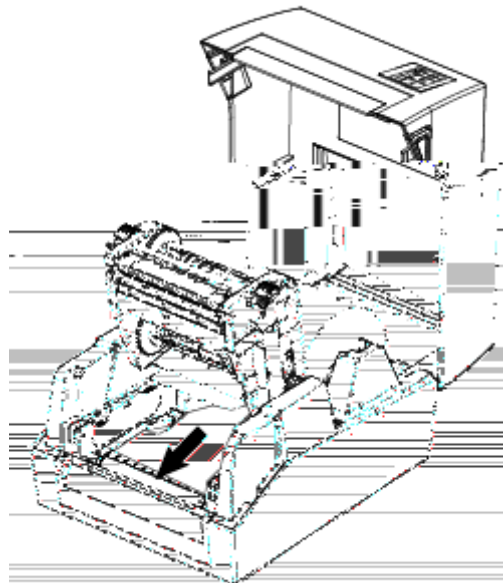
		Code 39, Code 93, Code 128UCC, Code 128 subset A, B, C, Codabar, Interleave 2 of 5, EAN-8, EAN-13, EAN-128, UPC-A, UPC-E, EAN and UPC 2 (5) digits add-on, MSI, PLESSEY, POSTNET, RSS-Stacked, GS1 DataBar, Code 11
		PDF417, Maxicode, DataMatrix, QR Code, Aztec
		USB
		LED : , :
		: 100-240 , 50/60 , : 24 /2 , 5
		41 (5 )-104 (40 ) 30%-85%,( )
		-4 (-20 )-122 (50 ) 10%-90%( )
	( * * )	292*189.25*242.09mm
		2.60kg( )
		8
		FCC,CE



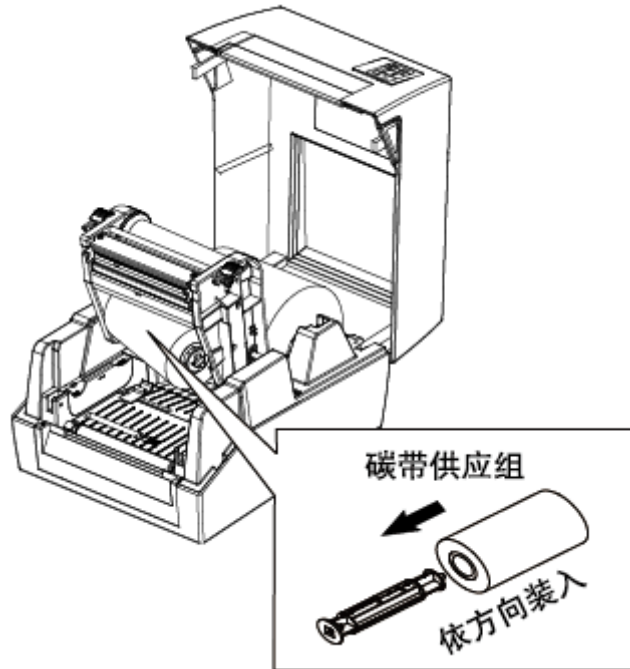
3.1.1.3



3.1.1.4



3.1.2.1

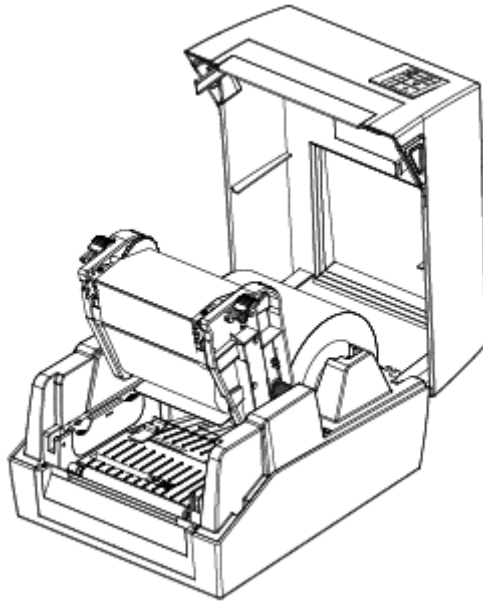


3.1.2.2

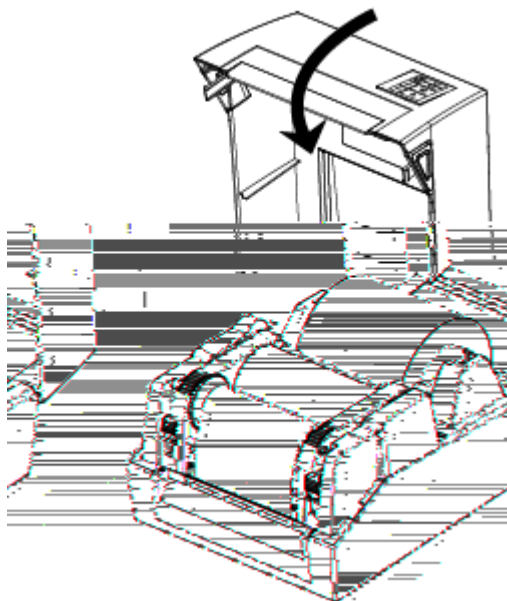


3.1.2.3

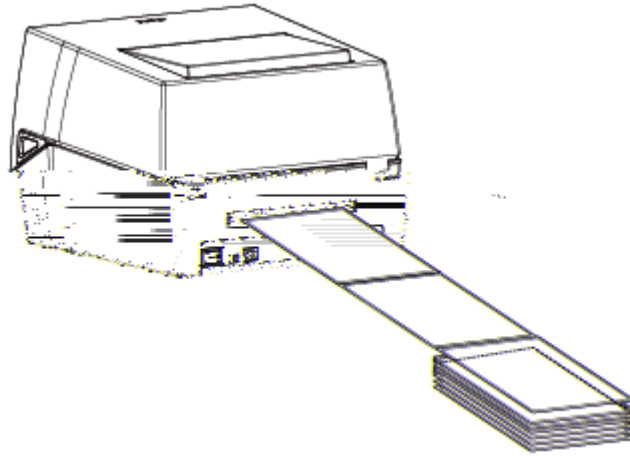
2~3



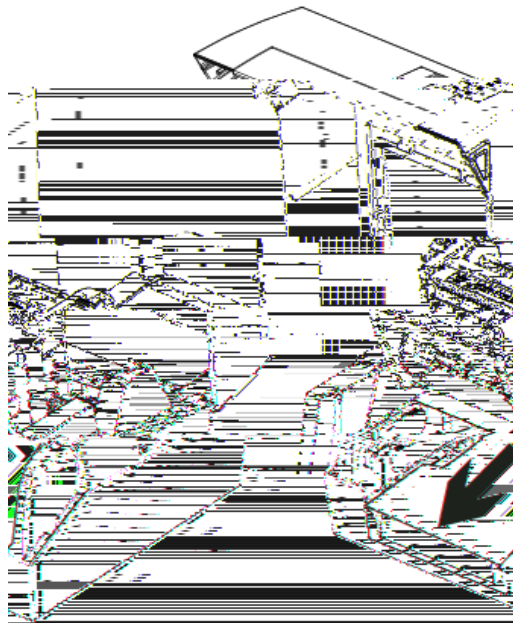
3.1.2.4



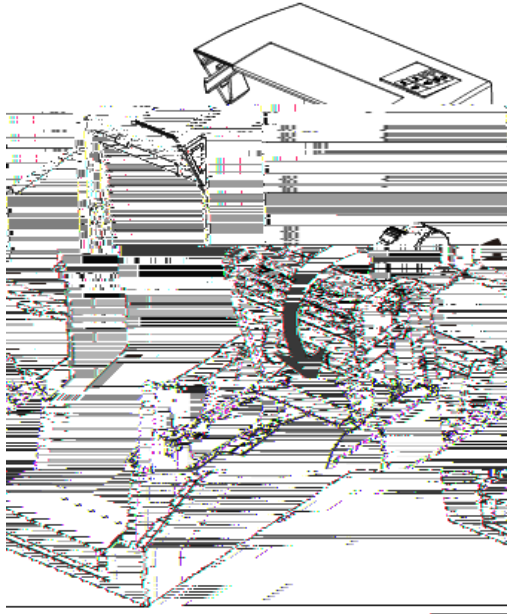
3.1.3.1



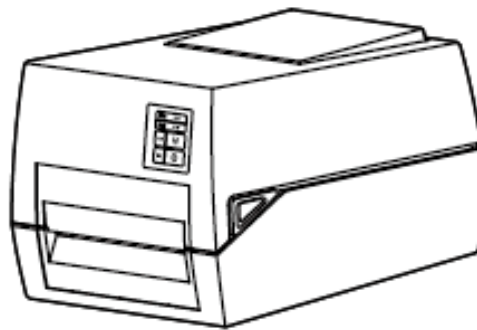
3.1.3.2



3.1.3.3



3.1.3.4

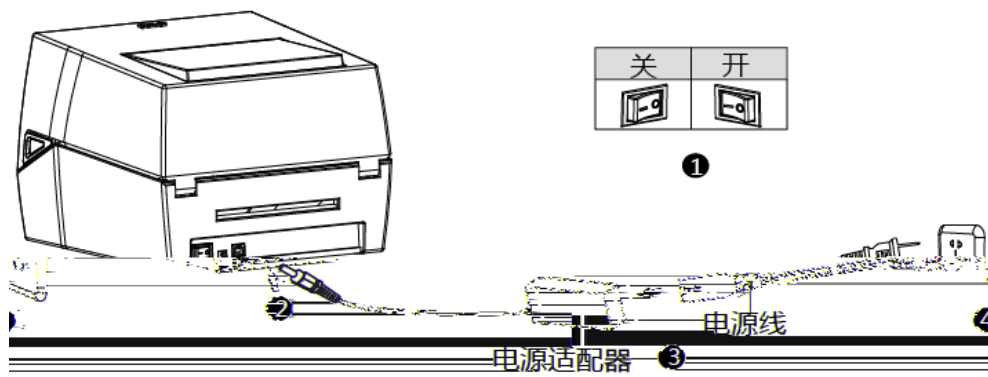


1. (O)

2.

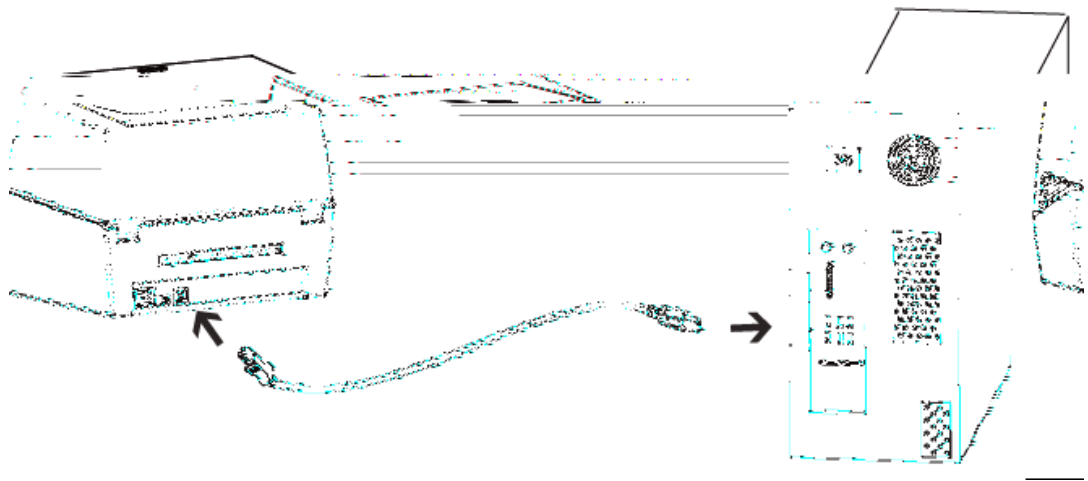
3.

4.



:

--USB B-Type

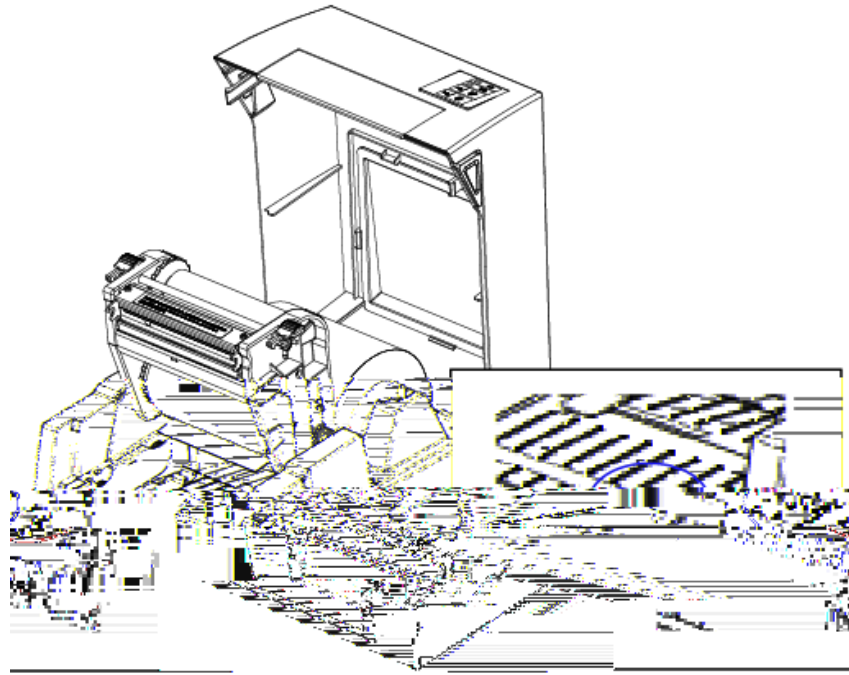


1) O

2

-- USB USB B-Type




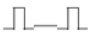


### 3.4




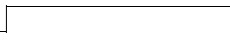

## 3.5


 $24V \pm 10\%$ 

3-1

3-2

1

Feed

2

Feed

MCU





3      Feed      Power      2      Feed ,

### 3.6

" 0"                      " 1"

1

Feed

2

Feed

MCU

3      Feed      Power      2      Feed



1

2

3 , 2

;



1)

2)

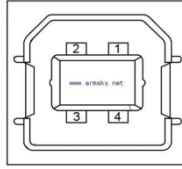
3)

1) Windows

Windows

2) Windows " "

3) Windows " "



4-1

1	VBUS
2	D-
3	D+
4	GND

1

2

2~3

3

4

1

2

1 2

1

2

3

4

1 2

**1:**

1

	Pb	Hg	Cd	Cr VI	PBB	PBDE
	X	O	O	O	O	O
	X	O	O	O	O	O
	X	O	O	O	O	O
	X	O	O	O	O	O
	X	O	O	O	O	O
	X	O	O	O	O	O
	X	O	O	O	O	O
	X	O	O	O	O	O
	X	O	O	O	O	O
	X	O	O	O	O	O
	X	O	O	O	O	O
	X	O	O	O	O	O
	X	O	O	O	O	O
O	SJ/T 11363-2006					
X	SJ/T 11363-2006					

2

