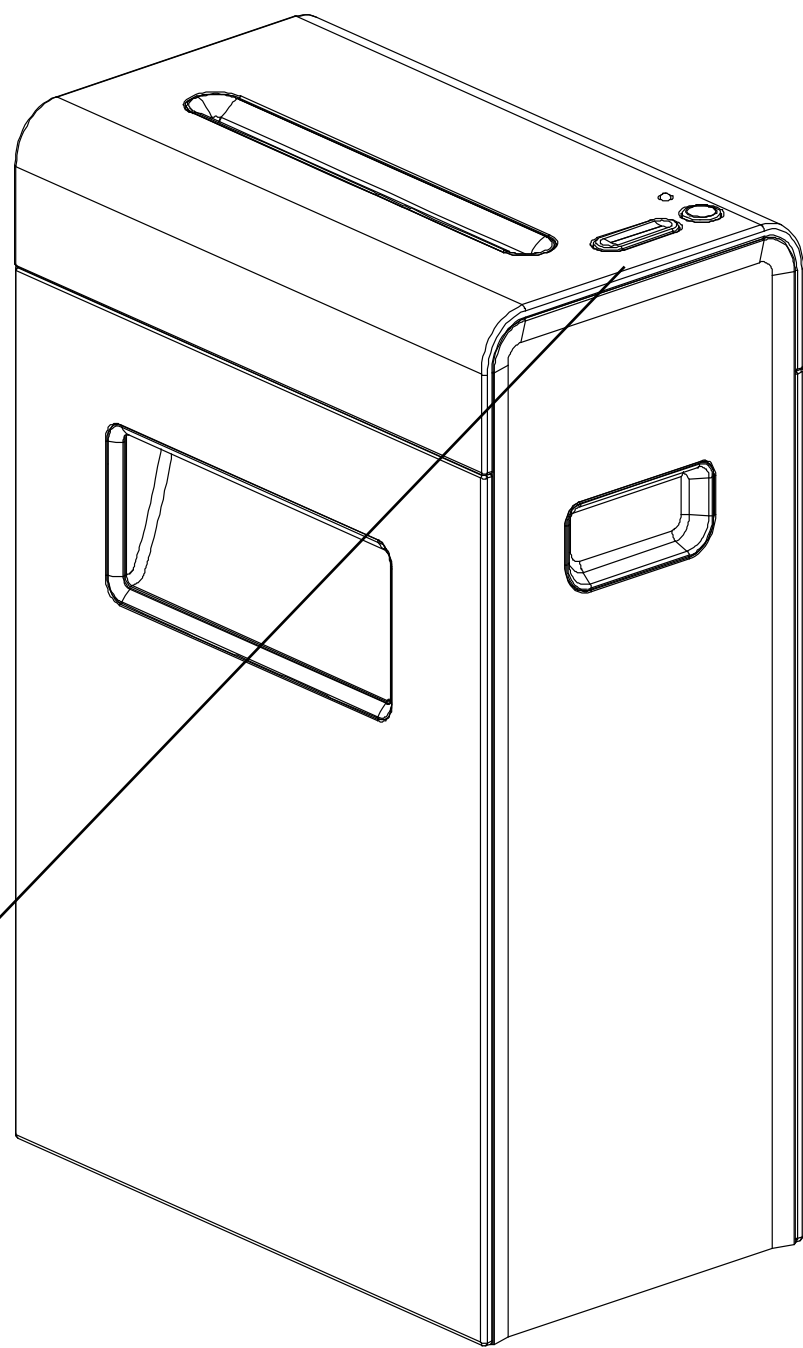


USER'S MANUAL

No.9921 碎纸机使用说明书

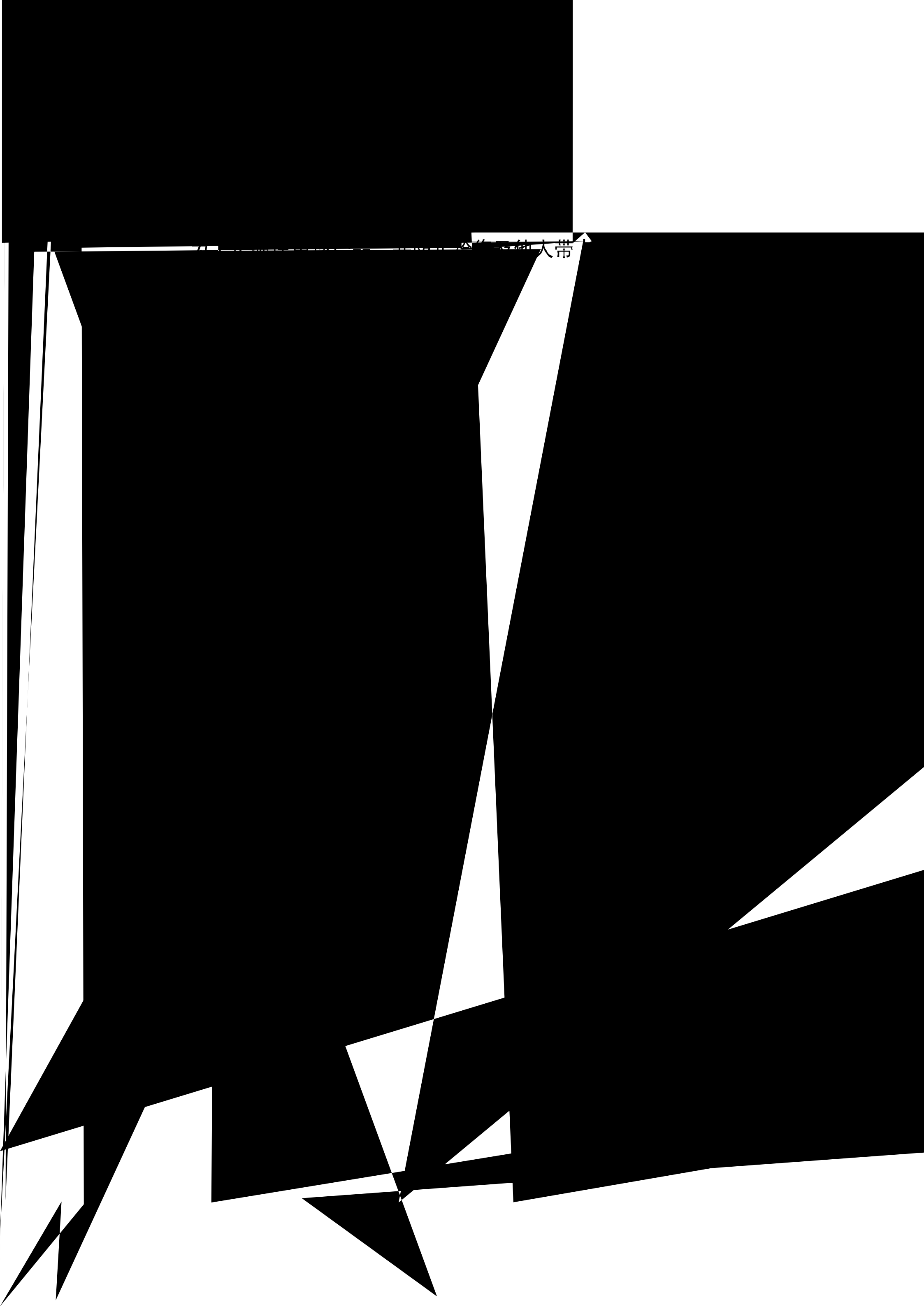
MODEL:S220LPS3-1



dc li

使用时注意事项	1
产品规格	2
装箱清单	2
产品外形结构及名称	3
使用说明	3
保养方法	4
常见故障分析及排除	4
Useage attention	5
Product Specifications	6
Packing List	6
Product Outlook & Names	7
Operating Procedures	7
Maintenance	8
Trouble Analysis & Troubleshooting	8

大帶人神作



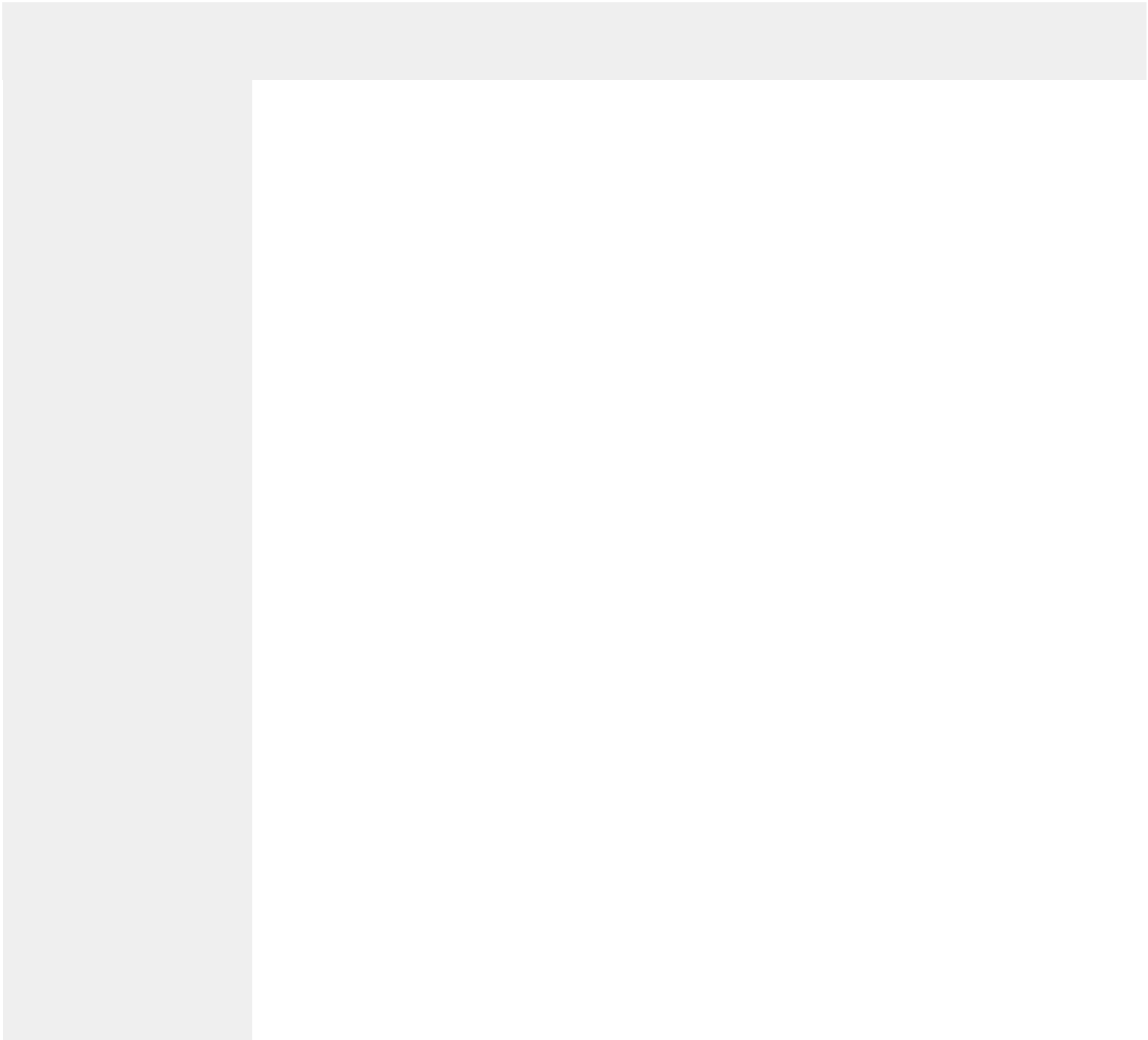


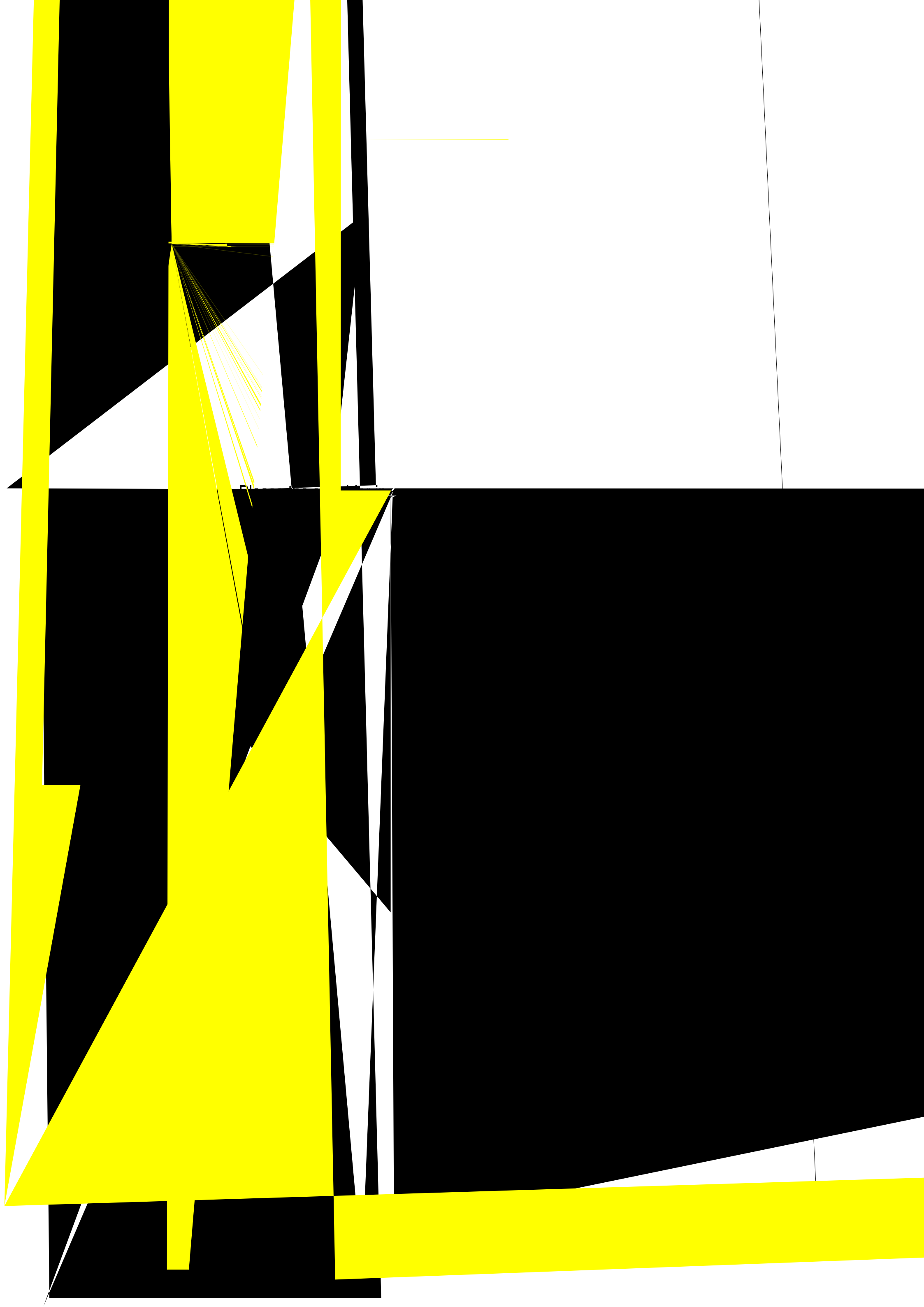
产品外形结构及名称

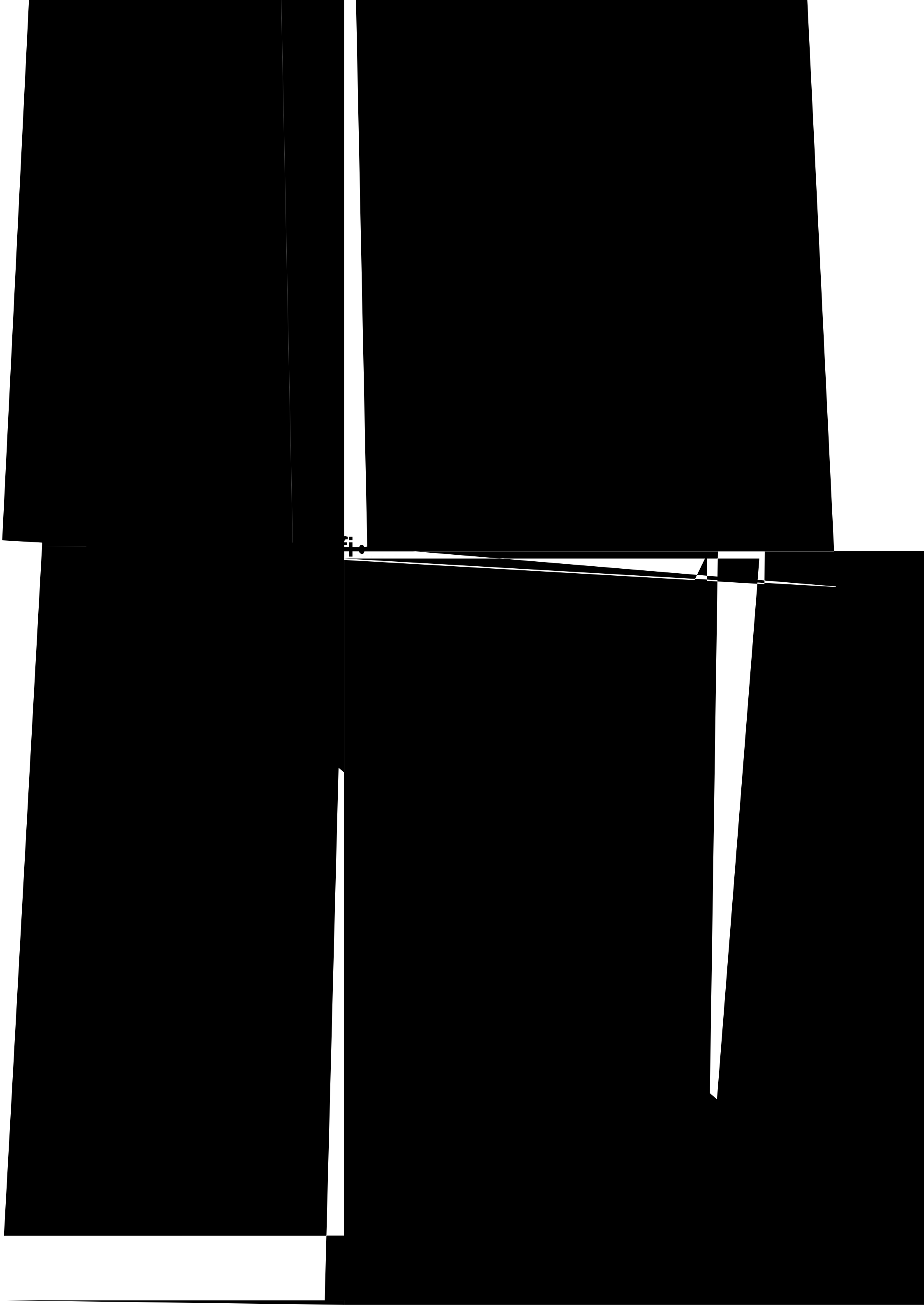
拉 手

使用说明

保







Product Outlook & Names



er s

Maintenance

Trouble Analysis & Troubleshooting

TROUBLE	TROUBLE ANALYSIS	TROUBLESHOOTING
SHREDDER NO RUNNING		
CONSTANTLY RUNNING		
NOISE LOUD		

In case the above solutions are not able to remove any trouble of the shredder, please stop using it immediately, disconnect the power plug and switch off power supply. Contact the local service agency of our company.

公司
., LTD.

镇车站西路128号

West Road, Huangtan

County, Zhejiang

0574-65278888

(Fax): 0574-65273660

执行标准

www.deli-stationery.com